

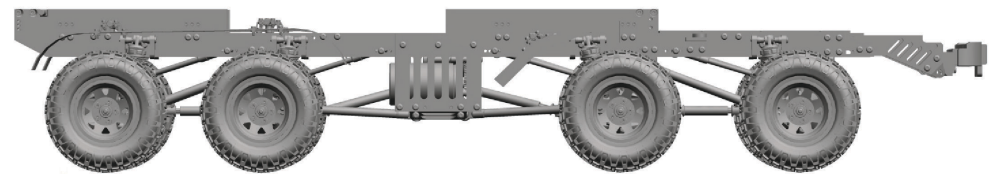
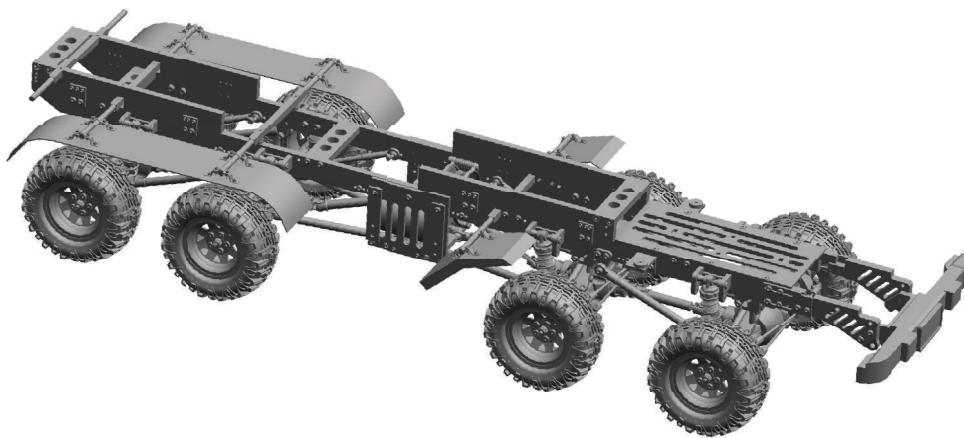
8x8 Off-Road Military Truck

LxWxH: 820x235x270mm

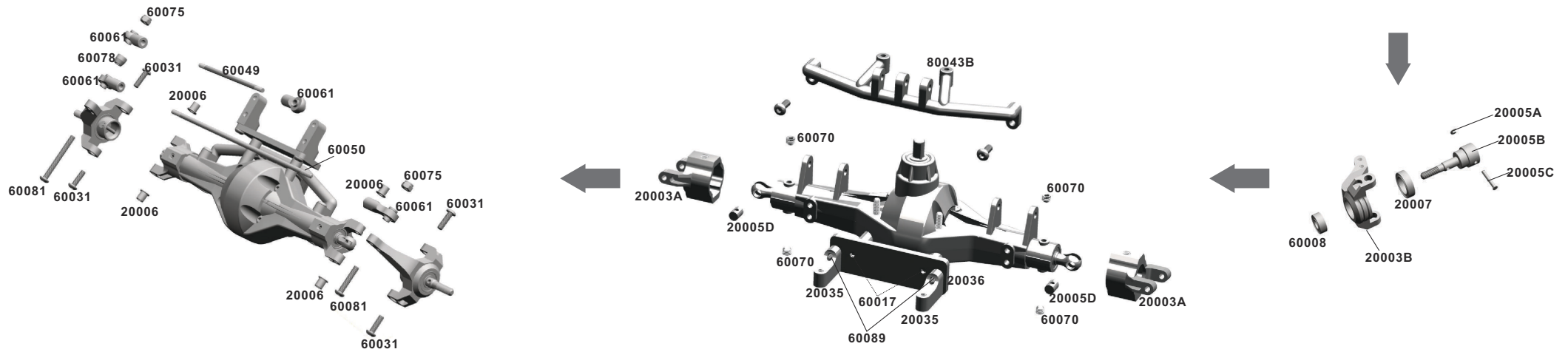
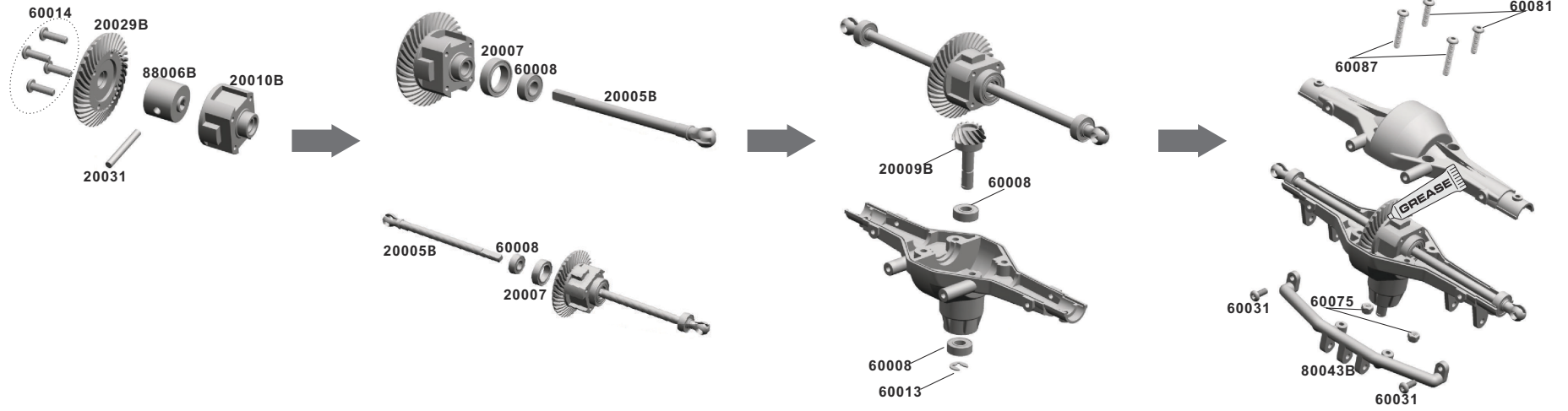
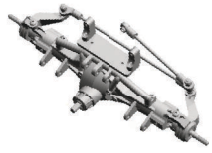
WheelBase: 580mm

Ground Clearance: 70mm

Gear Ratio: 1:33.4



1st. Axle Assem



60014 x4
M2x6mm

20007 x4
Bearing 10x15x4mm

60008 x6
Bearing 5x11x4mm

20029B x1
Helical Bevel Gear 38T

20009B x1
Helical Bevel Gear 13T

60070 x4
M4x4mm

60013 x2
E5.0 e-clip

20031 x1
Pin 2.9x22mm

60075 x4
M3 Nut

20005A x2
E1.5 e-clip

20005C x2
Pin 3x12mm

20005D x2
Pin 4x6mm

20006 x4
Bushing 3x4.4x4.9

60078 x1
Bushing 3x6x5

88006B x1
Gear Spacer

20010B x1
Gear Housing

20035 x2
Servo Mount

20036 x1
Servo Plate

20005B x2
Front wheel shaft

20003A x2
Steering Hub Carrier

20003B x2
Steering Hub

20005B x2
Steering Drive Shaft

60061 x4
Linkage Rod Head

60049 x1
Linkage Shaft 63mm

60050 x1
Linkage Shaft 116mm

80043B x1
Linkage Mount

60017 x2
Tm3x6mm

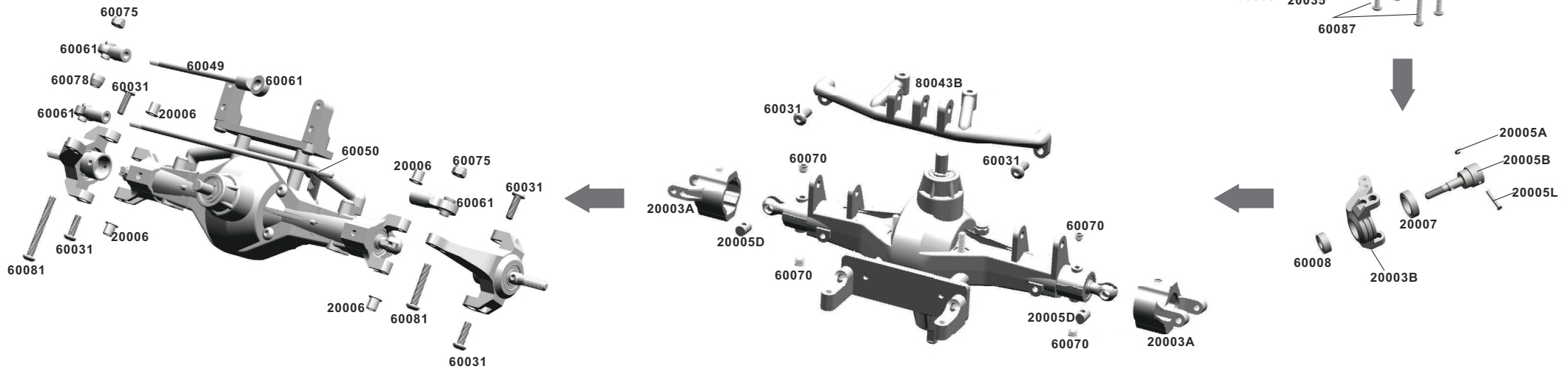
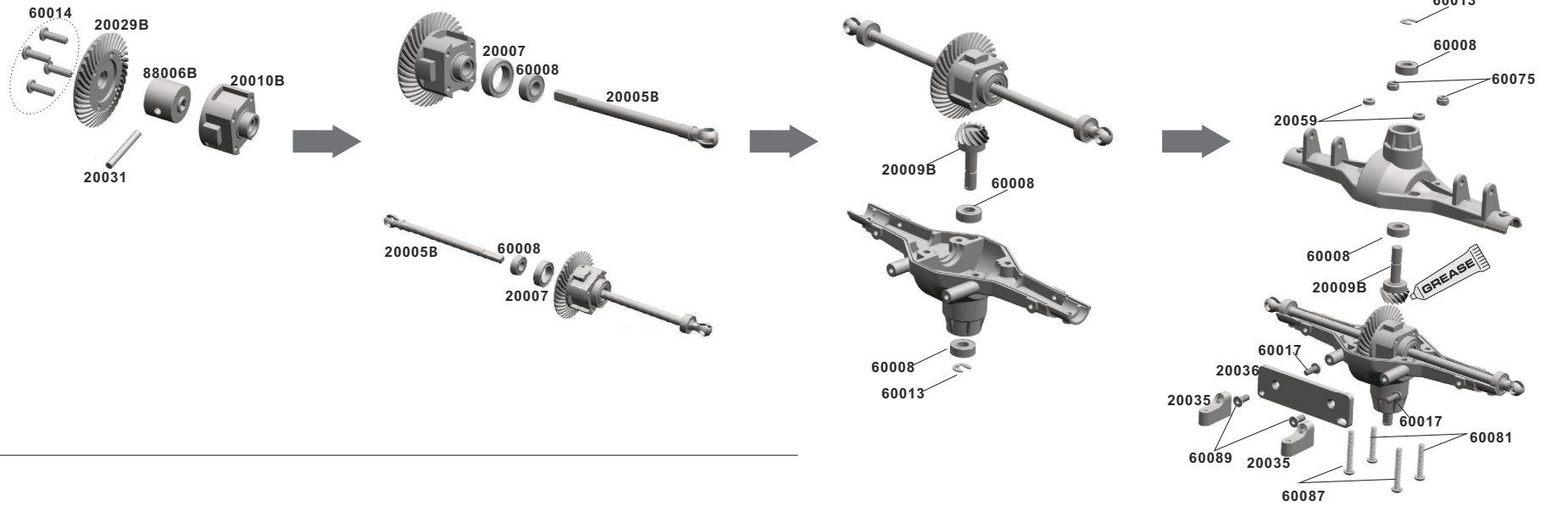
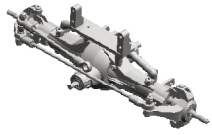
60089 x2
Fm3x6mm

60031 x6
Tm3x8mm

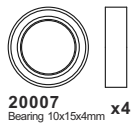
60081 x4
Tm3x18mm

60087 x2
Tm3x20mm

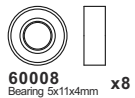
2nd. Axle Assem



60014 x4
M2x6mm



20007 x4
Bearing 10x15x4mm



60008 x8
Bearing 5x11x4mm



20029B x1
Helical Bevel Gear 38T



20009B x2
Helical Bevel Gear 13T

60070 x4
M4x4mm

60013 x2
E5.0 e-clip

20031 x1
Pin 2.9x22mm

60075 x4
M3 Nut

20059 x2
Washer 3x6x3

20005A x2
E1.5 e-dip

20005L x2
Pin 3x13mm

20005D x2
Pin 4x6mm

20006 x4
Bushing 3x4.4x4.9

60078 x1
Bushing 3x6x5

88006B x1
Gear Spacer

20010B x1
Gear Housing

20035 x2
Servo Mount

20036 x1
Servo Plate

20005B x2
Front wheel shaft

20003A x1
Steering Hub Carrier

20003B x2
Steering Hub

20005B x2
Steering Drive Shaft

60061 x4
Linkage Rod Head

60049 x1
Linkage Shaft 63mm

60050 x1
Linkage Shaft 116mm

80043B x1
Linkage Mount

60017 x2
Tm3x8mm

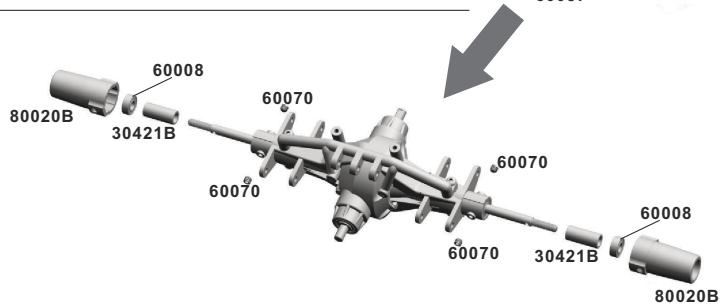
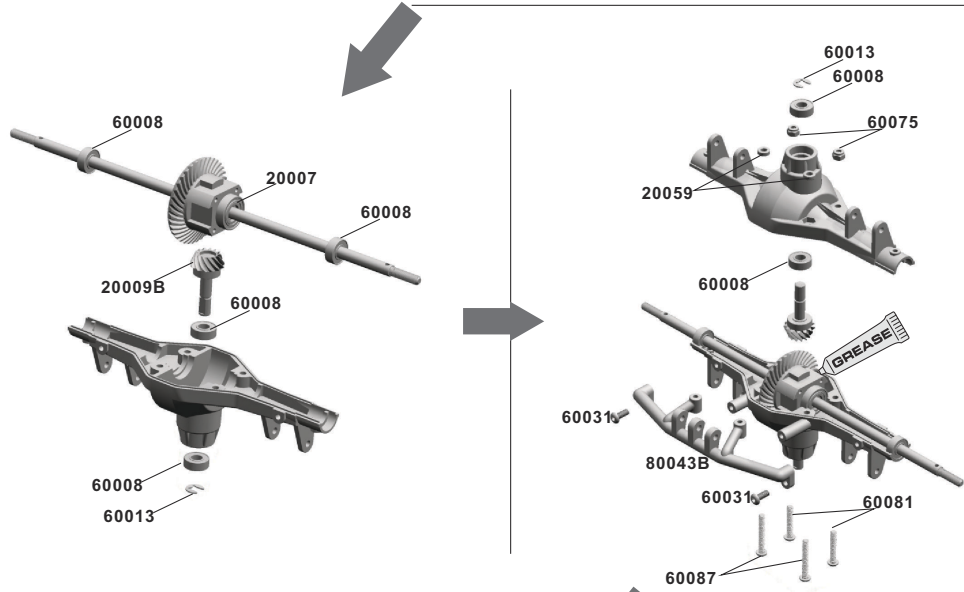
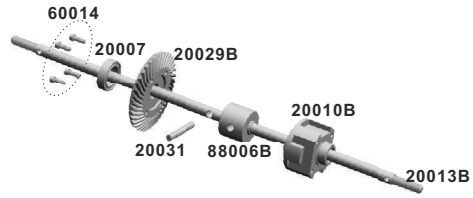
60089 x2
Tm3x8mm

60031 x6
Tm3x8mm

60081 x4
Tm3x18mm

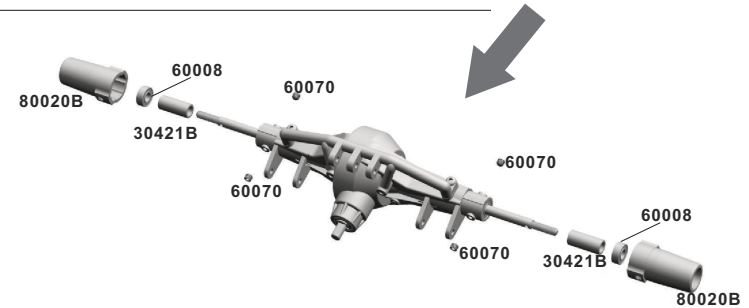
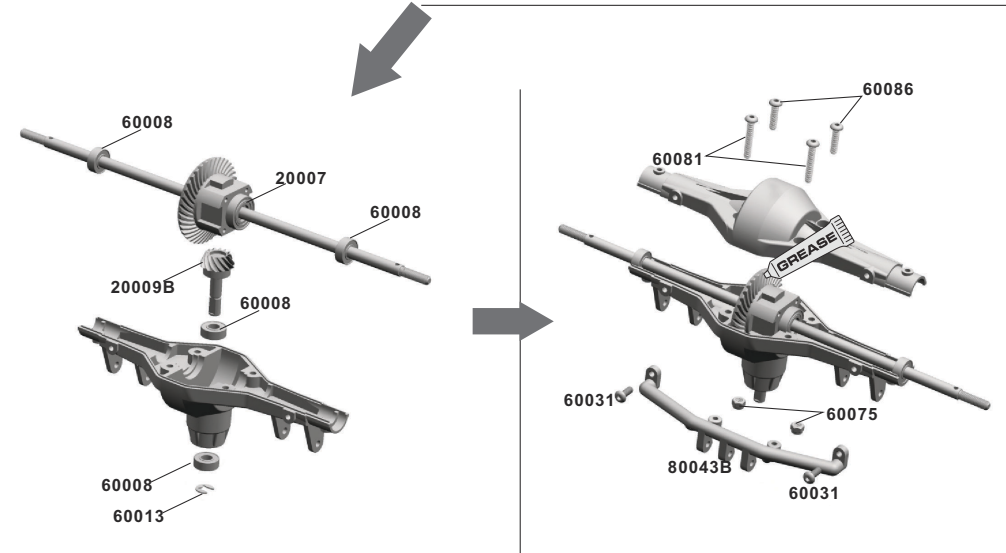
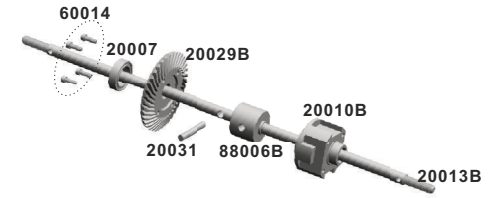
60087 x2
Tm3x20mm

3rd. Axle Assem



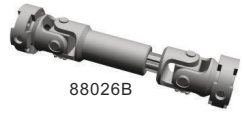
- | | | | | | | | | | | | | | | | | | | |
|--------------------|-------------------------------|------------------------------|-------------------------------------|-------------------------------------|--------------------|-------------------------|--------------------------|---------------------|----------------------|----------------------|--------------------|--------------------------|--------------------------|---------------------------|-----------------------------|-----------------------------|----------------------------|--------------------------|
| 60014
M2x6mm x4 | 20007
Bearing 10x15x4mm x2 | 60008
Bearing 5x11x4mm x8 | 20029B
Helical Bevel Gear 38T x1 | 20009B
Helical Bevel Gear 13T x2 | 60070
M4x4mm x4 | 60013
E5.0 e-clip x2 | 20031
Pin 2.9x22mm x1 | 60031
Tm3x8mm x2 | 60081
Tm3x18mm x2 | 60087
Tm3x20mm x2 | 60075
M3 Nut x2 | 20059
Washer 3x6x3 x2 | 88006B
Gear Spacer x1 | 20010B
Gear Housing x1 | 30421B
Bearing Spacer x2 | 80020B
Rear Wheel Hub x2 | 80043B
Linkage Mount x1 | 20013B
Stiff Shaft x1 |
|--------------------|-------------------------------|------------------------------|-------------------------------------|-------------------------------------|--------------------|-------------------------|--------------------------|---------------------|----------------------|----------------------|--------------------|--------------------------|--------------------------|---------------------------|-----------------------------|-----------------------------|----------------------------|--------------------------|

4th. Axle Assem

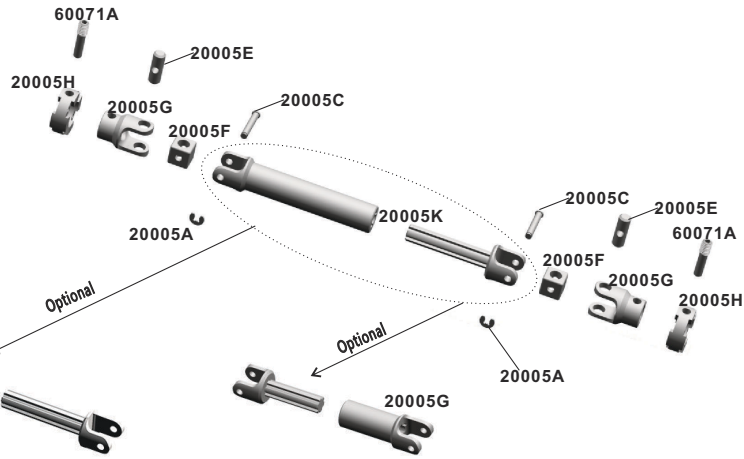


- | | | | | | | | | | | | | | | | | | | |
|--------------------|-------------------------------|------------------------------|-------------------------------------|-------------------------------------|--------------------|-------------------------|--------------------------|---------------------|----------------------|----------------------|--------------------|--------------------------|--------------------------|---------------------------|-----------------------------|-----------------------------|----------------------------|--------------------------|
| 60014
M2x6mm x4 | 20007
Bearing 10x15x4mm x2 | 60008
Bearing 5x11x4mm x6 | 20029B
Helical Bevel Gear 38T x1 | 20009B
Helical Bevel Gear 13T x1 | 60070
M4x4mm x4 | 60013
E5.0 e-clip x1 | 20031
Pin 2.9x22mm x1 | 60031
Tm3x8mm x2 | 60086
Tm3x12mm x2 | 60081
Tm3x18mm x2 | 60075
M3 Nut x2 | 20059
Washer 3x6x3 x2 | 88006B
Gear Spacer x1 | 20010B
Gear Housing x1 | 30421B
Bearing Spacer x2 | 80020B
Rear Wheel Hub x2 | 80043B
Linkage Mount x1 | 20013B
Stiff Shaft x1 |
|--------------------|-------------------------------|------------------------------|-------------------------------------|-------------------------------------|--------------------|-------------------------|--------------------------|---------------------|----------------------|----------------------|--------------------|--------------------------|--------------------------|---------------------------|-----------------------------|-----------------------------|----------------------------|--------------------------|

Universal Drive Shaft

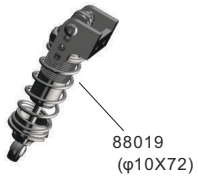


88026B



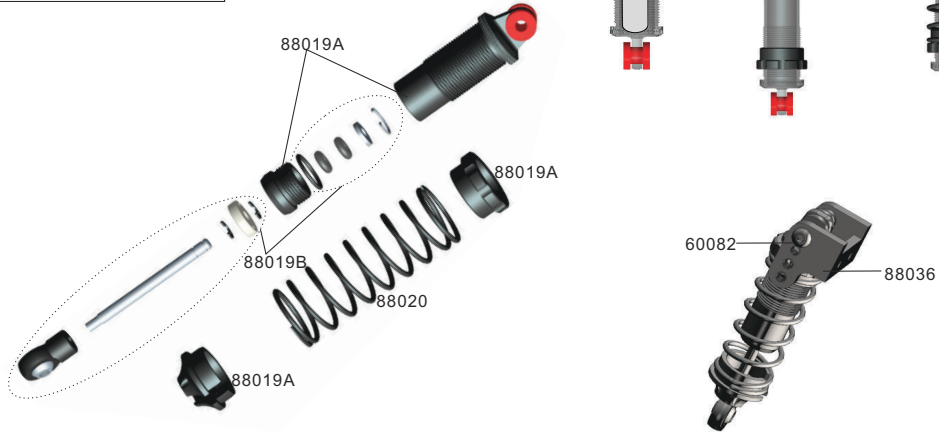
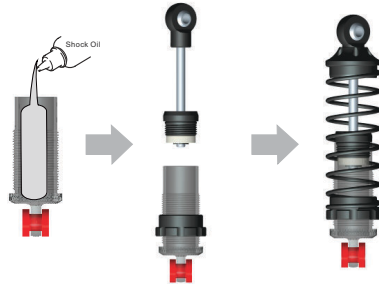
- | | | | |
|-------------------------|--------------------------|----------------------------------|-----------------------------------|
| 20005A x2
Pin 3x12mm | 20005E x2
Pin 3x10mm | 20005G x2
Drive Shaft Carrier | 60071A x2
Screw Shaft |
| 20005C x2
Pin 3x12mm | 20005F x2
Joint Block | 20005H x2
Drive Shaft Hub | 20005K x2
Drive Shaft Body Set |

Shock



88019
(φ10X72)

NOTE: Shock oil was not pre-injected in factory

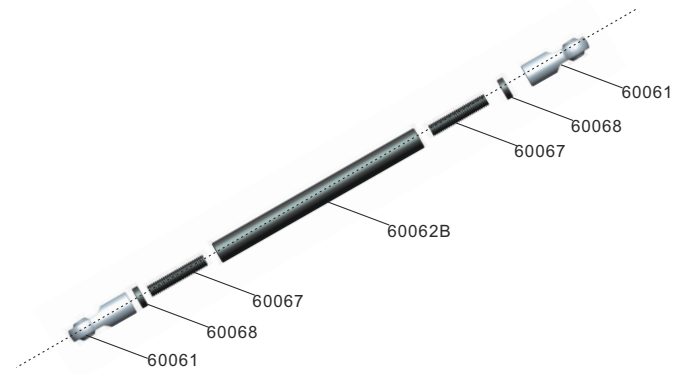


- | | | |
|----------------------|-------------------------|---------------------------------------|
| 60082 x1
Tm3x30mm | 80036 x1
Shock Mount | 88020 x1
Shock Spring φ 1.3xφ15X48 |
|----------------------|-------------------------|---------------------------------------|

Linkage A (φ7*115.5mm)

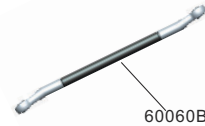


80016B

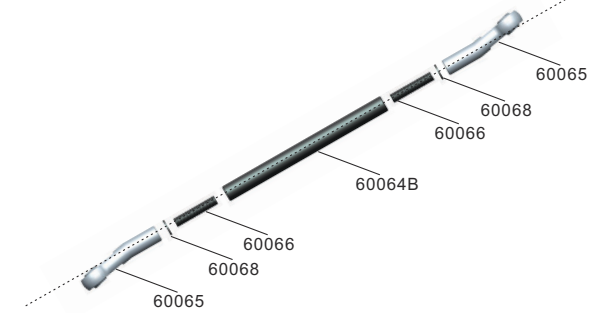


- | | | | |
|----------------------|---------------------|------------------------|-----------------------|
| 60061 x2
Rod Head | 60067 x2
M4x20mm | 60068 x4
1mm Washer | 60062B x1
80mm Rod |
|----------------------|---------------------|------------------------|-----------------------|

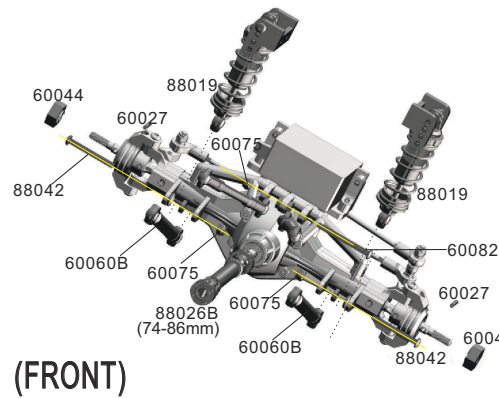
Linkage B (φ5*98.5mm)



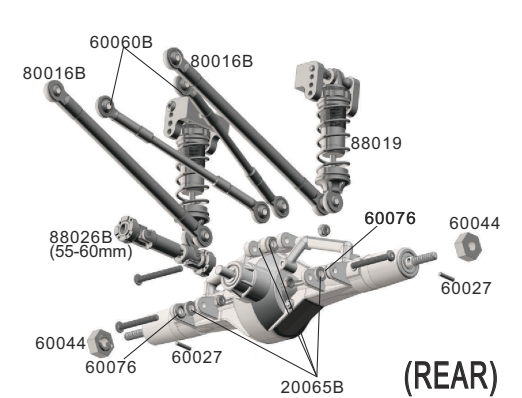
60060B



- | | | | |
|----------------------|---------------------|------------------------|-----------------------|
| 60065 x2
Rod Head | 60067 x2
M3x16mm | 60068 x2
1mm Washer | 60064B x1
55mm Rod |
|----------------------|---------------------|------------------------|-----------------------|



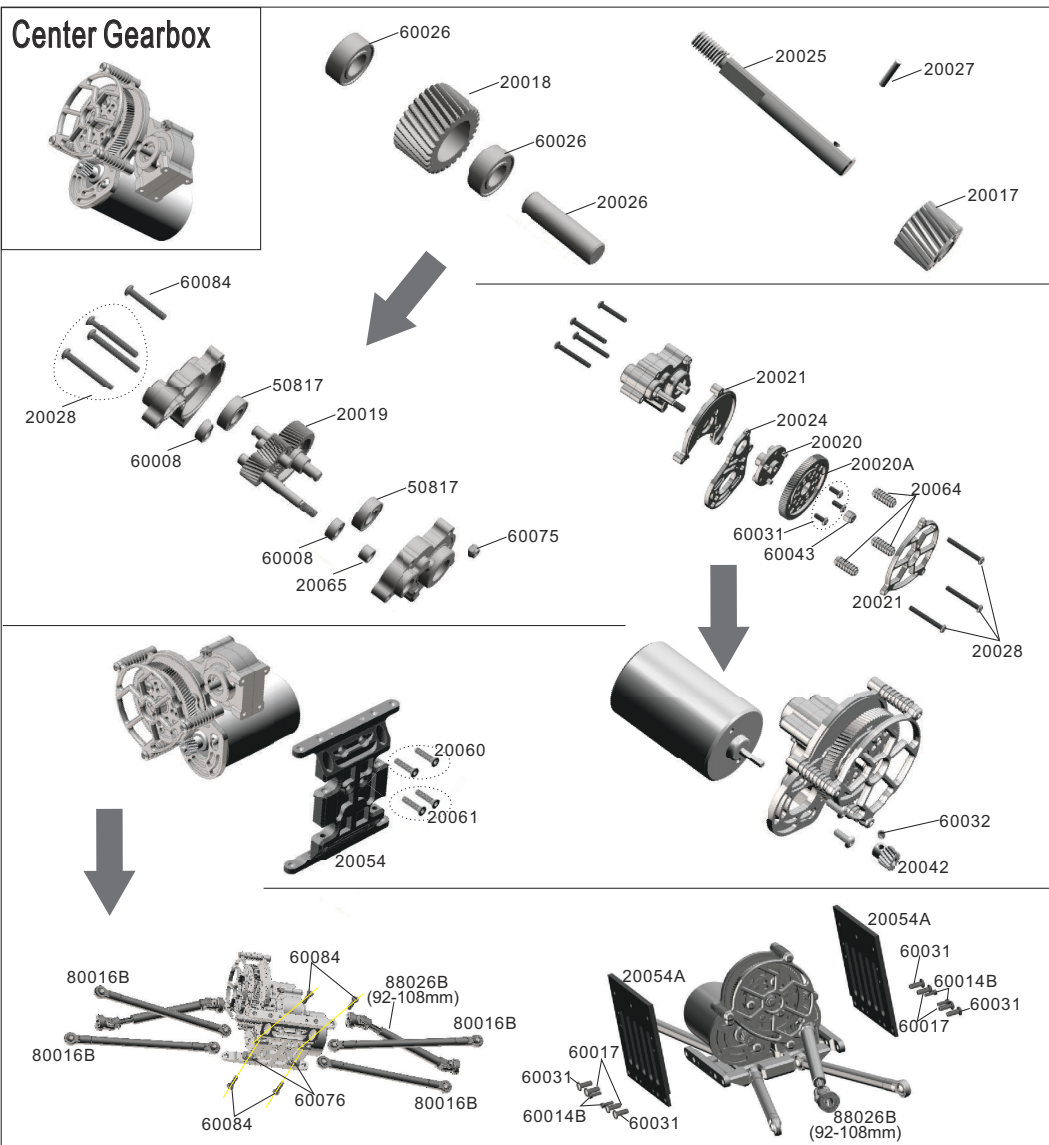
(FRONT)



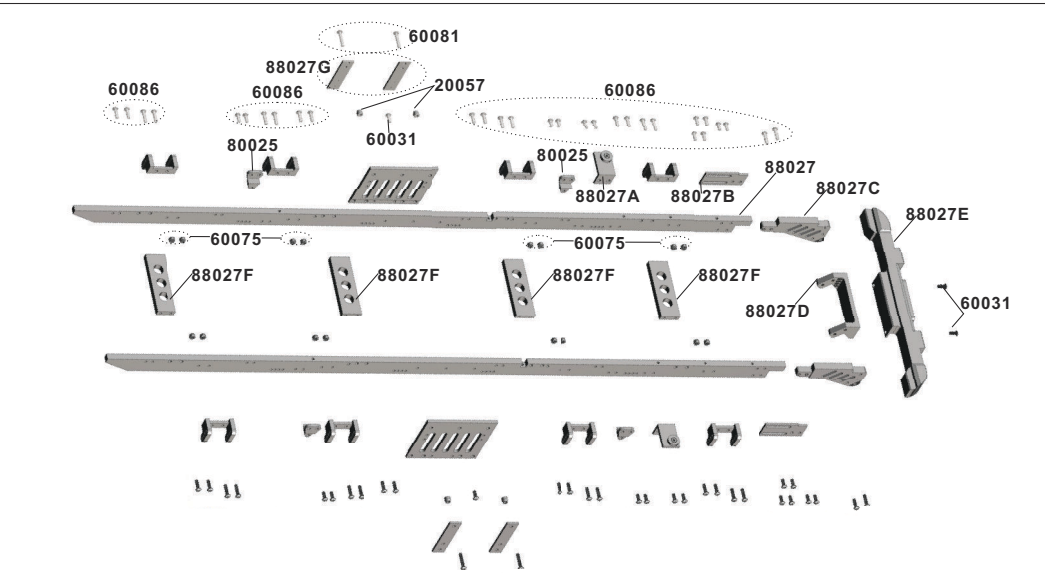
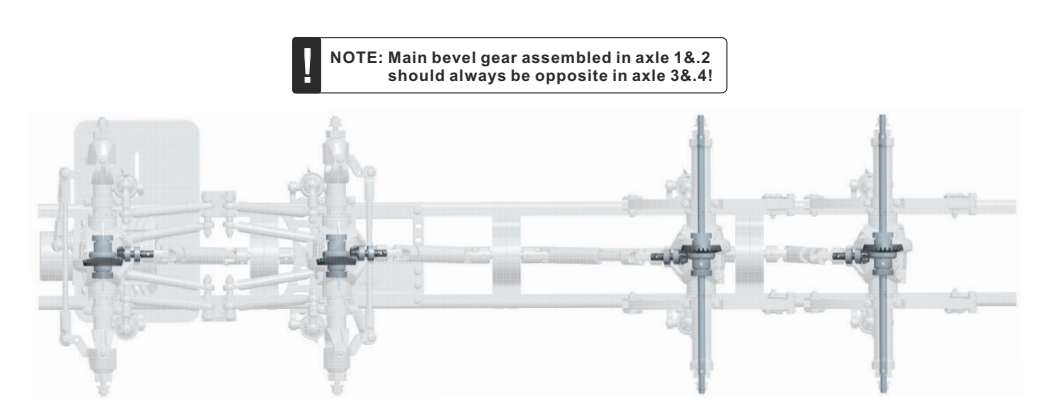
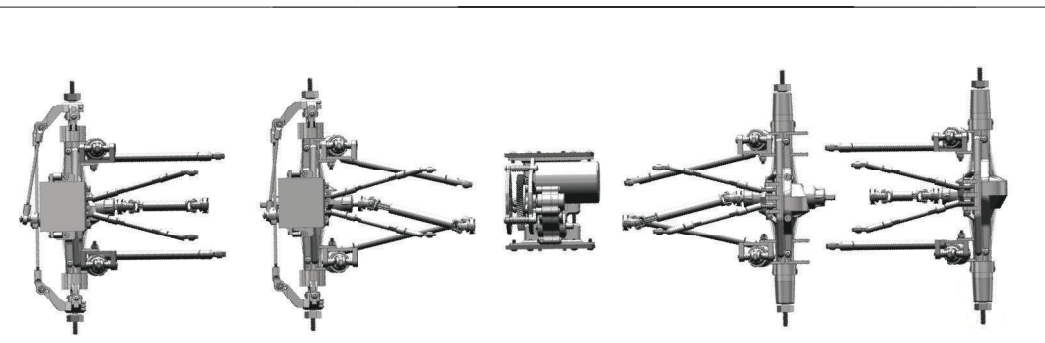
(REAR)

- | | | | | |
|--------------------------|----------------------|-------------------------|----------------------|------------------------|
| 60044 x4
Wheel Hub | 60075 x6
M3 Nut | 80019 x4
Shock | 80026B x1
74-87mm | 80016B x2
Linkage A |
| 60027 x4
Pin 2.0x10mm | 80042 x4
Tm3x26mm | 80019 x4
Shock | 80026B x1
55-60mm | 60060B x4
Linkage B |
| 60076 x4
O Ring | 60082 x2
Tm3x30mm | 20065B x8
4x2 Busher | 80026B x1
55-60mm | |

Center Gearbox

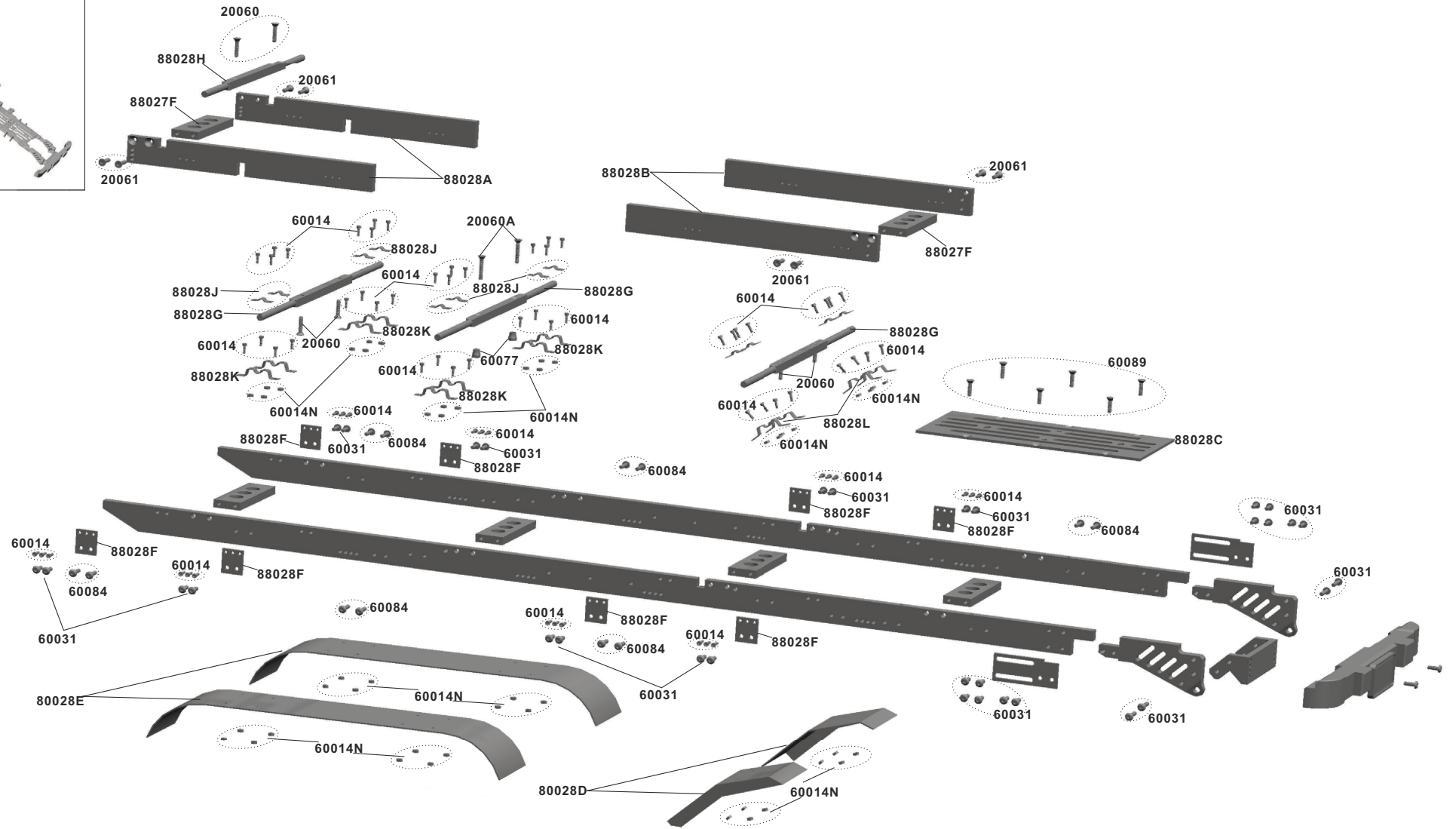
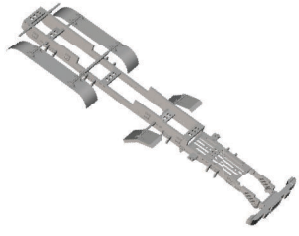


60026 x2 Bearing 5x10x4mm	20025 x1 21T Gear Shaft	20017 x1 Helical Gear 21T-L	20021 x1 Gear Housing	20028 x6 Tm3x26mm
60008 x2 Bearing 5x11x4mm	20026 x1 Pin 5x16mm	20018 x1 Helical Gear 25T-R	20024 x1 Mount Mount	60084 x5 Tm3x16mm
50817 x2 Bearing 8x16x5mm	20027 x1 Pin 1.5x7mm	20019 x1 Helical Gear 56T-L	80016B x4 Linkage A	60031 x7 Tm3x8mm
60032 x1 M3x3mm	20065 x1 Bushing 4x5x7x4.6	20020 x1 Helical Gear 56T-L	88026B x2 92-108mm	60017 x3 Tm3x6mm
60043 x1 M4 Nut	60075 x1 M3 Nut	20020A x1 Helical Gear 56T-L	20054 x1 Gearbox Base Mount	60014B x4 M2.5x8mm
20042 x1 Bevel Pinion 15T-R	20064 x3 Bushing 3x6.5x16	20064 x2 Fm3x12mm	20054A x2 Gearbox Side Mount	20061 x2 Fm3x10mm

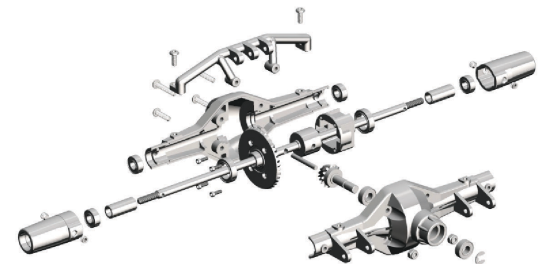
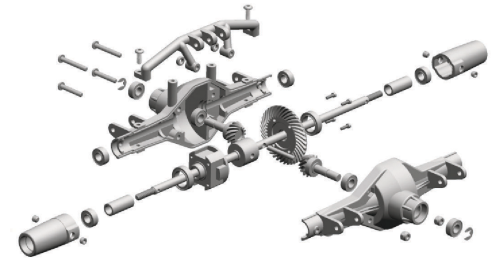
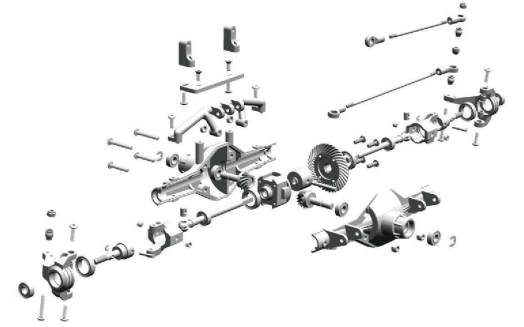
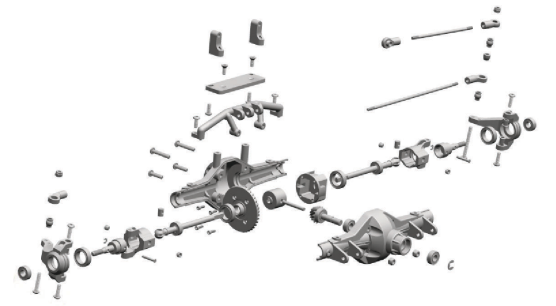
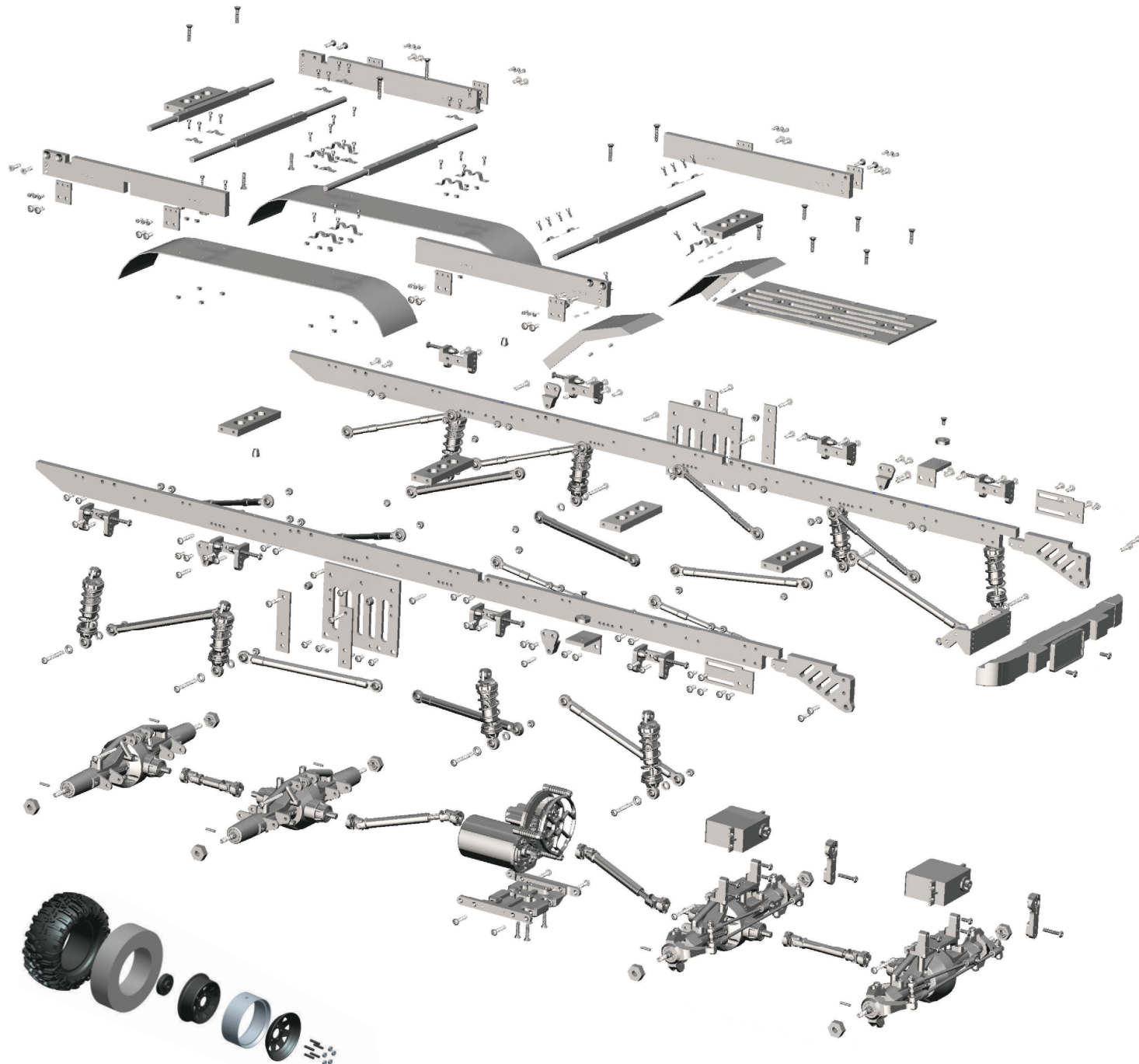


60031 x4 Tm3x8mm	60075 x16 M3 Nut	88027C x2 Bumper Side Mount	88027G x4 Upper Frame support	88027E x1 Front Bumper
60086 x60 Tm3x12mm	88027A x2 Body Mount	88027D x1 Bumper Mount	88025 x4 Linkage Mount	88027F x4 Central Joint Plate
60081 x4 Tm3x18mm	88027B x2 Side Joint Plate			

Upper Frame Assem



60089 x6 Fm3x6mm	60014N x48 M2 Nut	80027F x2 Central Joint Plate	80028J x12 Shaft Holder A	80028A x2 Upper Side Plate A	80028G x3 Fender Shaft	80028D x1 Front Fender
20061 x8 Fm3x10mm	60014 x72 M2x6mm	80028F x8 Side Joint Plate	80028K x4 Shaft Holder B	80028B x2 Upper Side Plate B	80028H x1 Upper Frame Shaft	80028E x2 Rear Fender
20060 x6 Fm3x12mm	60031 x16 Tm3x8mm	60077 x2 WasherΦ3x6x6	80028L x8 Shaft Holder C	80028C x1 Battery Plate		
20060A x2 Fm3x20mm	60084 x16 Tm3x16mm					



! NOTE: Actual wheel style goes by the product photo!